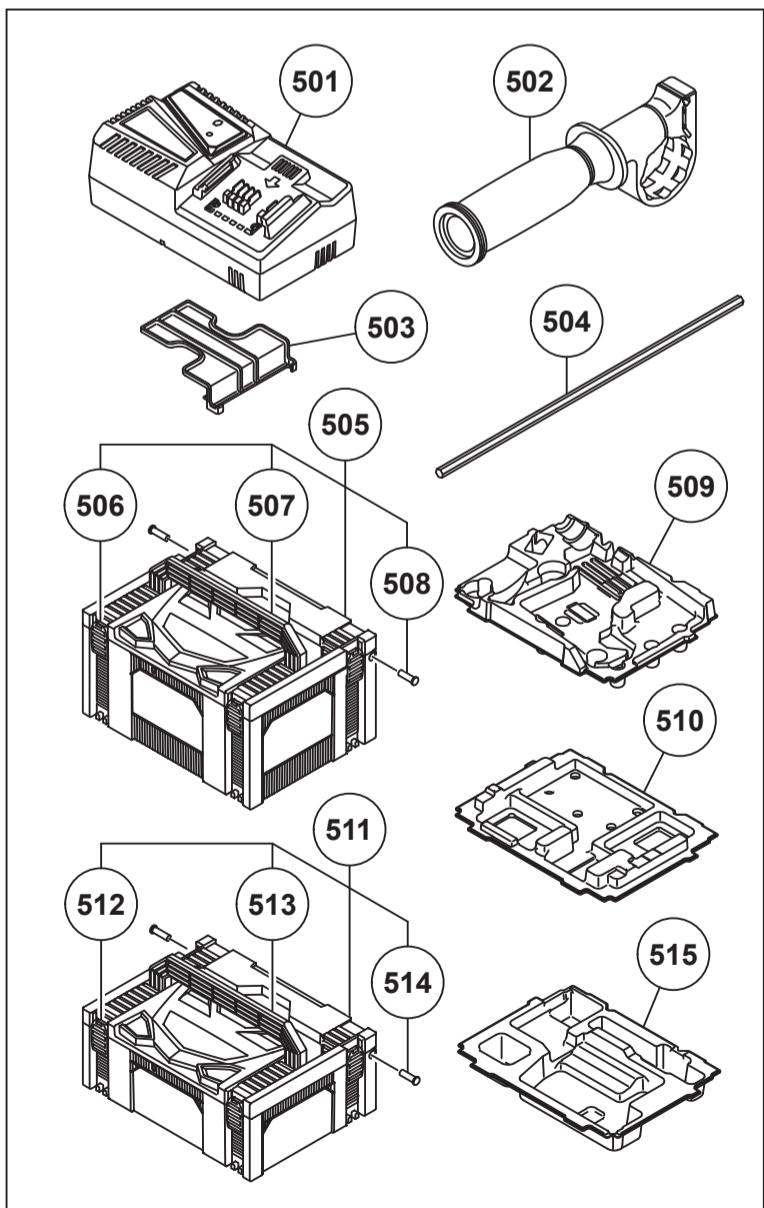
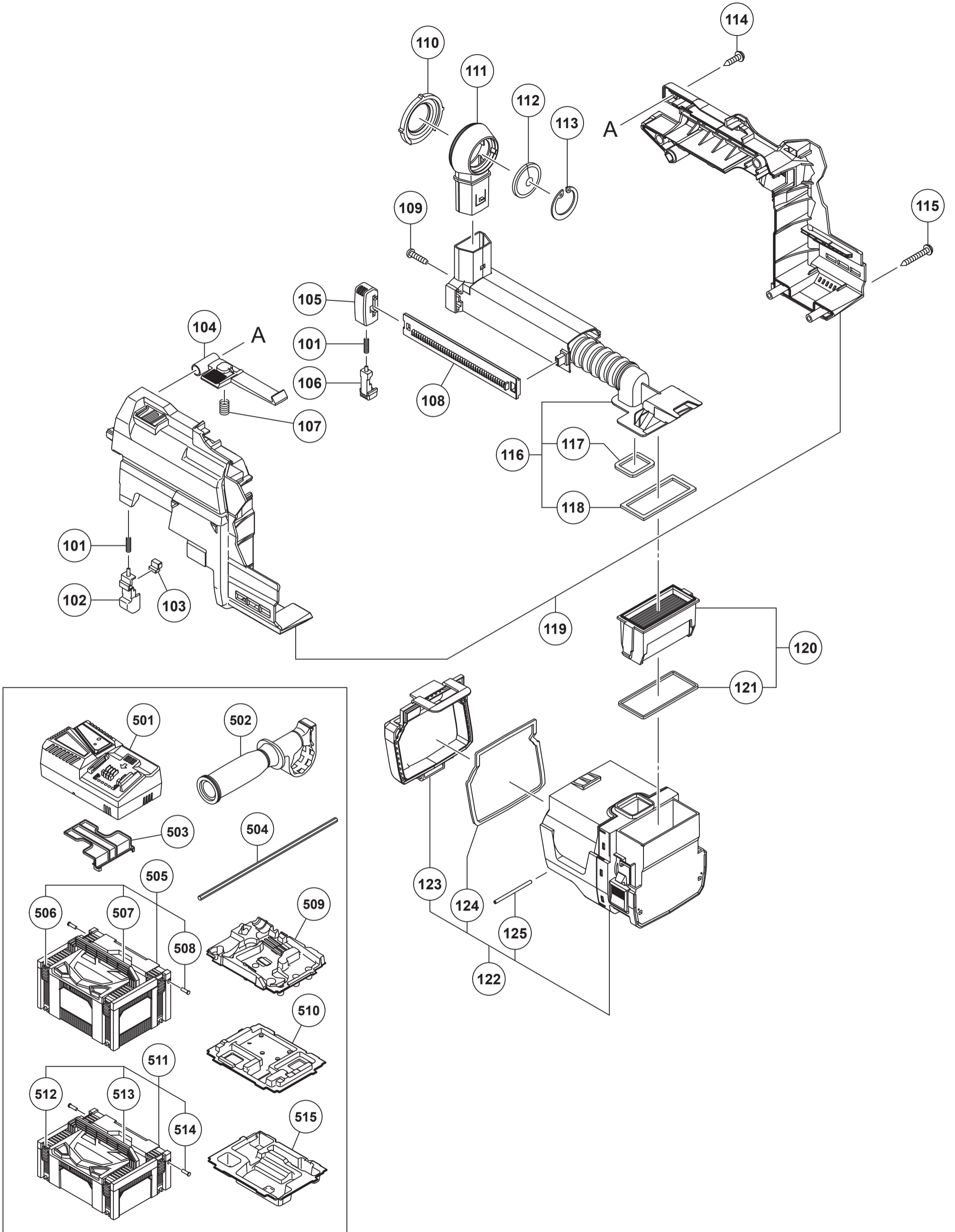


41	~	43
55	~	58
		67



HIKOKI**CORDLESS ROTARY HAMMER DH1826DA**

Item No.	Code No.	Description	No. Used	Remarks
1	375363	GRIP SET	1	INCLUD.2-7,20
2	306345	FRONT CAP	1	
3	306340	STOPPER RING	1	
4	374436	GRIP	1	
5	374437	BALL HOLDER	1	
6	374435	HOLDER PLATE	1	
7	322812	HOLDER SPRING	1	
8	379084	TAPPING SCREW (W/FLANGE) D5 (BLACK)	4	
9		NAME PLATE	1	
10	335259	OIL SEAL	1	
11	6805BB	BALL BEARING 6805	1	
12	322789	PUSHING BUTTON	1	
13	317223	PUSHING SPRING	1	
14	334011	CHANGE LEVER	1	
15	878885	O-RING (S-18)	1	
16	379955	GEAR COVER ASS'Y	1	INCLUD.18
17	335800	SPRING (E)	1	
18	608VVM	BALL BEARING 608VVC2PS2L	1	
19	374422	SHAFT HOLDER (B)	1	
20	335300	STEEL BALL D7.0 (10 PCS.)	1	
21	374426	CYLINDER	1	
22	335265	SECOND GEAR	1	
23	374430	SPRING (B)	1	
24	301679	WASHER (A)	2	
25	948310	RETAINING RING FOR D30 SHAFT	1	
26	335262	OIL SEAL (A)	1	
27	375014	HAMMER HOLDER (D)	1	
28	374432	SECOND HAMMER	1	
29	374429	HAMMER HOLDER (A)	1	
30	322805	DAMPER (A)	1	
31	322808	O-RING (C)	1	
32	324524	DAMPER HOLDER	1	
33	322807	STOPPER RING	1	
34	374443	STRIKER	1	
35	372816	O-RING	1	
36	372817	PISTON	1	
37	335794	PISTON WASHER	2	
38	990079	SEAL LOCK HEX. SOCKET HD. BOLT M5X16	4	
39	379079	INNER COVER (B)	1	
40	370310	O-RING	1	
41	379947	SUPPORT (B)	2	
42	379088	INNER COVER (A)	1	
43	877839	SEAL LOCK HEX. SOCKET HD. BOLT M5X10	2	
44	334008	AIR CAP	1	
45	324543	FELT PACKING (A)	1	
46	335793	PISTON PIN	1	
47	335249	RECIPROCATING BEARING	1	
48	379930	BEARING WASHER	1	
49	370312	BEARING HOLDER (B)	1	
50	608VVM	BALL BEARING 608VVC2PS2L	1	
51	379082	BEARING COVER (A)	1	
52	379083	BEVEL GEAR	1	
53	379068	SHUTTER	1	

* ALTERNATIVE PARTS

HIKOKI

CORDLESS ROTARY HAMMER DH1826DA

Item No.	Code No.	Description	No. Used	Remarks
54	379069	SHUTTER SPRING	2	
55	379946	DUST WASHER	1	
56	370315	FELT PACKING	1	
57	379078	PACKING WASHER	1	
58	872470	O-RING (S-26)	1	
59	374434	LOCK PLATE	1	
60	374440	SECOND PINION	1	
61	323182	CLUTCH SPRING	1	
62	375022	CLUTCH	1	
63	331315	WASHER	1	
64	374439	CHANGE PLATE (C)	1	
65	379080	SECOND SHAFT	1	
*66	379087	HOUSING (A).(B) SET	1	INCLUD.41
*66	379087M	HOUSING (A).(B) SET	1	INCLUD.41 FOR USA,CAN
67	361188	ROTOR (A)	1	
68	341155	WIRING ASS'Y (A)	1	INCLUD.69,76
69	379957	SUPPORT (B)	1	
70	306664	TAPPING SCREW (W/FLANGE) D4X40 (BLACK)	3	
71	379138	HOUSING PLATE	1	
72	379074	HANDLE SPRING	1	
73	379137	HANDLE PLATE	1	
74	301653	TAPPING SCREW (W/FLANGE) D4X20 (BLACK)	12	
75	324225	PUSHING BUTTON (B)	1	
76	379067	SPEED CONTROL SWITCH	1	
77	379071	HANDLE (A).(B) ASS'Y	1	INCLUD.78
78	379072	HANDLE GUIDE	2	
79	379076	HANDLE WASHER	2	
80	379075	HANDLE COLLAR	2	
81	379073	HANDLE DAMPER	2	
82	379929	HANDLE COVER	1	
83	373521	BATTERY RUBBER (B)	1	
*84	378683	BATTERY BSL 1850MA (EUROPE,AUS,NZL)	2	INCLUD.503
*84		BATTERY BSL 1850MA (TPE)	2	
				INCLUD.503
85	379943	INNER COVER ASS'Y (A)	1	INCLUD.41-43,55-58,67
101	370502	SPRING (A)	2	
102	370509	BUTTON (B)	1	
103	370510	STOPPER	1	
104	379710	LATCH (HG)	1	
105	370501	ADJUSTER	1	
106	370838	BUTTON (A) SET	1	
107	379711	LATCH SPRING	1	
108	379712	ADJUSTMENT RAIL	1	
109	370500	TAPPING SCREW D2.6	4	
110	377175	NOZZLE SEAL	1	
111	370495	NOZZLE	1	
112	370496	BRUSH CAP	1	
113	370497	RETAINING RING D35	1	
114	307811	TAPPING SCREW (W/FLANGE) D4X16 (BLACK)	3	
115	306664	TAPPING SCREW (W/FLANGE) D4X40 (BLACK)	2	
116	379718	SLIDE PIPE ASS'Y	1	INCLUD.117,118
117	379719	PACKING (A)	1	
118	379720	PACKING (B)	1	

* ALTERNATIVE PARTS

HIKOKI**CORDLESS ROTARY HAMMER DH1826DA**

Item No.	Code No.	Description	No. Used	Remarks
119	379709	DUST HOUSING (A).(B) SET	1	
120	379717	FILTER ASS'Y	1	INCLUD.121
121	379716	FILTER PACKING (5 PCS.)	1	
122	379714	DUST BOX ASS'Y	1	INCLUD.123-125
123	379713	CYCLONE BOX COVER	1	
124	379715	CYCLONE PACKING	1	
125	376774	PIN D3X50	1	
		STANDARD ACCESSORIES		
501		CHARGER (MODEL UC 18YFSL)	1	
502	374447	SIDE HANDLE	1	
503	329897	BATTERY COVER	1	
504	303709	DEPTH GAUGE	1	
*505	337108	CASE ASS'Y (STACKABLE 3)	1	INCLUD.506-508 FOR W/BATTERY AND CHARGER
506	336472	LATCH	4	
507	336473	HANDLE	1	
508	336474	HINGE	2	
*509	379786	INNER TRAY	1	FOR MAIN UNIT
*510	379787	INNER TRAY	1	FOR BATTERY AND CHARGER
*511	402539	SYSTEM CASE 2	1	INCLUD.512-514 FOR MAIN UNIT ONLY
*511	402539	SYSTEM CASE 2	1	INCLUD.512-514 FOR DUST EXTRACTION UNIT
512	336472	LATCH	4	
513	336473	HANDLE	1	
514	336474	HINGE	2	
*515	379788	INNER TRAY	1	FOR DUST EXTRACTION UNIT
		OPTIONAL ACCESSORIES		
*601	379135	DUST EXTRACTION UNIT (IN CARTON BOX)	1	
*601	379135M	DUST EXTRACTION UNIT (IN CARTON BOX)	1	FOR USA,CAN
*602	379136	DUST EXTRACTION UNIT (IN STACKABLE CASE)	1	EXCEPT FOR USA,CAN
603	303332	HAMMER DRILL CHUCK SET 13MM	1	INCLUD.604,605
604	303334	CHUCK HANDLE	1	
605	303335	RUBBER CAP	1	
606	321825	DRILL CHUCK AND ADAPTER SET	1	INCLUD.607,608
607	303623	CHUCK ADAPTER (G) (SDS PLUS)	1	
608	321814	DRILL CHUCK 13VLRB-D	1	INCLUD.609,610
609	331966	FLAT HD. SCREW (LEFT HAND) M6X20	1	
610	303334	CHUCK HANDLE	1	
611	321813	DRILL CHUCK 13VLD-D	1	INCLUD.604
612	971787	DUST CUP	1	
613	931844	STOPPER	1	
614	971511Z	+ DRIVER BIT (A) NO.2 25L	1	
615	971512Z	+ DRIVER BIT (A) NO.3 25L	1	
616	306885	DUST COLLECTOR (B) ASS'Y	1	INCLUD.617
617	306910	SOCKET ADAPTER (B)	1	
*618	378023	DUST COLLECTION ADAPTER SET (A)	1	
*618	378024	DUST COLLECTION ADAPTER SET (B)	1	FOR EUROPE,GBR
*619	378054	DUST COLLECTION CUP ASS'Y	1	
*619	378055	DUST COLLECTION CUP ASS'Y	1	FOR EUROPE,GBR
620	379770	HOOK ASS'Y (A)	1	
621	335782	GREASE FOR ROTARY HAMMER (60G)	1	
622	335781	GREASE FOR ROTARY HAMMER (500G)	1	

* ALTERNATIVE PARTS